

AKW[®]
life. style. choice.

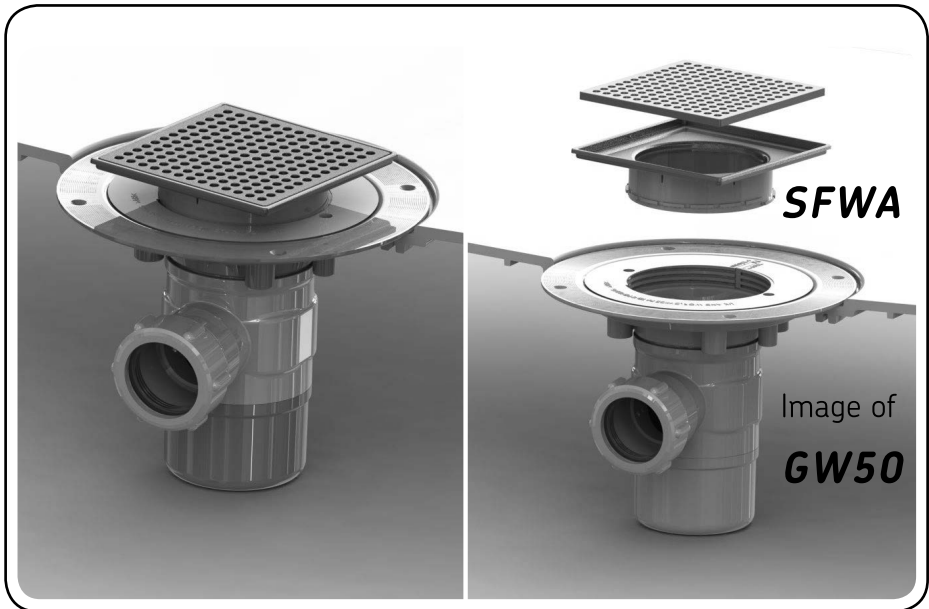
SureForm
DuraForm

*Waste Adaptor with Stainless Steel cover and
50mm or 19mm Gravity Waste*



**Installation Instructions
& User Care Instructions**

waste suitable for SureForm and DuraForm formers



Installer- please read all instructions carefully before installation
and leave these instructions with the end user for future reference

AKW[®]
life. style. choice.

Installation Instructions

SureForm Gravity

Waste- GW50 / GW19

Depth below former: 97mm for GW19 -
128mm for GW50

Follow the instructions provided with the gravity waste.

Do Not fit the waste top cover as this is replaced by the stainless steel cover.

As a "dry run" first place the wet floor former into the desired location and determine the position and depth of clearance required to position the gravity waste.

Before fitting the gravity waste place the nut onto the waste pipe, followed by the backing ring and the seal. Insert waste pipe into the gravity waste and tighten nut. Check pipe connection is correctly assembled, sealed and watertight.

Now install the wet floor former over the gravity waste according to the instructions.

Before installing the SFWA check the shower tray area slopes correctly towards the waste and the waste outlet pipe slopes down and away from the waste position by approximately 25mm per metre run (1 in 40).

To remove the central Stainless Steel grid **A**, insert the grid removal tool into one of the corner holes. Then gently lever the grid up and out. Do not try to pull the grid out vertically. Unscrew the grid frame **B** and threaded waste adjustment ring **C** and the centre waste grid fitting **E** put these to one side.

Apply a bead of silicone sealant between the waste adaptor **H** and the former. Locate the waste adaptor **H** in the required position, ensuring the main waste body seal is firmly in position and is in contact with the underside of the SFWA **I**.

Align and fit the locking ring **G** by turning clockwise to tighten, securing the waste trap **I** to the waste adaptor **H**.

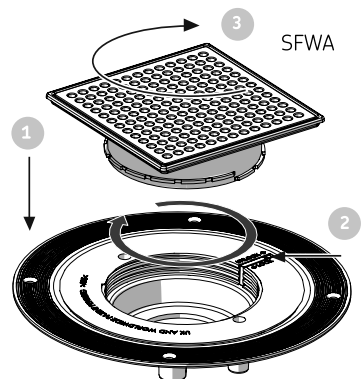
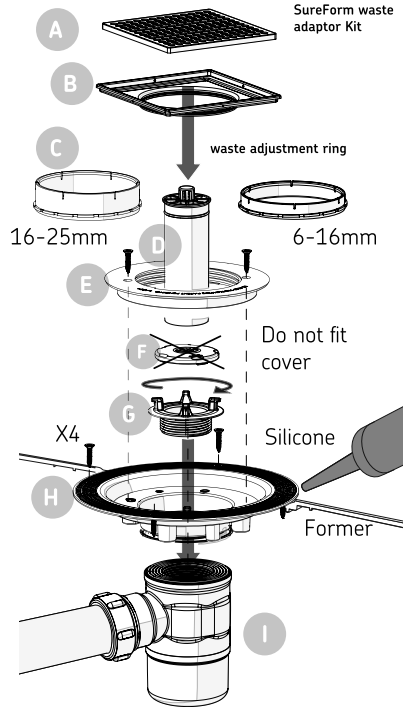
Secure waste adaptor **H** to the former and the sub-floor support if fitted, by drilling 2.5mm pilot holes through the former and then securing with 4 x CSK head screws. Do not overtighten the screws.

For DuraForm formers, use a special metal twist drill piece to drill 2.5mm pilot holes through the former to secure the waste adaptor this is because DuraForm has a fixed 3mm stainless steel plate on the underside which strengthens the waste outlet area. Do not drill the pilot holes to big. Ensure the screw heads are flush and do not protrude or they may cut into the wet floor drain gasket seal. Check the waste filter O-ring seal is in position in the groove then lower the filter **D** into the recess within the waste body. DO NOT fit the waste filter cover **F**.

Fitting the sealed flooring

Depending upon tanking kit used apply wet floor tanking sealant to floor to overlap edge of waste adaptor 25mm, let this dry before continuing. Screw back into place the centre grid fitting into the SFWA trapping any tanking membrane.

All types and sizes of tile thicknesses can be used if the threaded adjustment ring is positioned to the desired height.



SureForm Waste Adaptor assembly

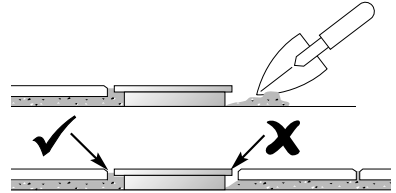
Installation Instructions

Depending upon the thickness of the floor tiles to be used, change the small or large threaded adjustment ring. (small = 6-16mm (1/4"-5/8" in) / large = 16-25mm (5/8"-1 in).

This part is a push fit but may require some leverage to remove.

- 1 Insert waste grid fitting **E** into waste adaptor and carefully screw down. Insert the desired waste adjustment ring and turn clockwise until height is level with intended finished floor.
- 2 Move sliding locking clip towards centre of waste to lock height adjustment into position.
- 3 Rotate centre grid to line up with the tile edges. Temporarily blank off waste centre hole to stop debris entering;

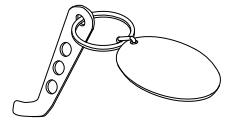
IMPORTANT: Tiling cement must be carefully packed around and below the grid frame to ensure a long and trouble free life to the product and water-proof seal to the flooring is maintained.



Finishing the waste installation

Clean up inside the waste grid area of tile grout and cement – do NOT place this in the waste!
REMOVE TEMPORARY WASTE BLANKING MATERIALS, clean any grout and cement or other rubbish from the waste.

Re-fit the stainless steel grid. It should sit level with the edge of the frame and the finished floor surface.



User Care Instructions

The SureForm SFWA is designed for low maintenance and reliable operation.

The SFWA and gravity waste located inside should be checked as part of a planned maintenance programme, any part showing evidence of damage or misuse must be replaced.

Keeping your SFWA clean

This product should be cleaned periodically to remove any accumulation of hair or other waste material, using normal domestic bathroom cleaning materials.

To remove and clean the trap, first remove the stainless steel grid using the tool provided.

Disinfecting

Where disinfecting is necessary, standard procedures for disinfecting equipment should be used taking due care and attention to the warnings below concerning possible effects of aggressive chemicals on plastics. After cleaning always flush down with water then wipe thoroughly with a damp cloth to remove any cleaning material residues before drying off.

Do not use strong or concentrated acidic, alkaline or other cleaning materials as these may discolour or otherwise damage the product.

To remove and clean the trap, first remove the Stainless Steel Grid using the tool provided. Lift the trap up vertically by gripping the centre peg. Reinstall following the above instructions.

AKW do not approve or recommend autoclave cleaning of any of the components due to the damage this can cause to the special engineering plastics used in the construction of this product.

Packaging

This SFWA is supplied in a polypropylene (PP) bag to keep the product unsoiled until installation; it may also be packed in a cardboard box. Both are suitable for recycling operations and should be disposed of in accordance with local recycling regulations.

Important Safety Information

-  **ALWAYS** Read these installation instructions carefully before installing this product and leave with the end user for future reference.
-  **ALWAYS** Have the waste installed by a trained and experienced installer.
-  **ALWAYS** match the correct waste to the shower base.
-  **NEVER** use the waste without the unit fully assembled.
-  **Caution** always check for electric cables and water pipework before cutting into floor boards or drilling into surfaces.
-  **Beware** a pinch hazard may be present around the edges during installation.

Orderline
01905 823299

General Enquiries
01905 823298

Technical Help line
01905 560219

Fax
01905 823297

Website
www.akw-ltd.co.uk

Quotes & orders email
orders@akw-ltd.co.uk

Enquiries email
sales@akw-ltd.co.uk
technicalenquiries@akw-ltd.co.uk

Post
AKW, Pointon Way,
Hampton Lovett,
Droitwich Spa,
WR9 0LR



For the latest AKW product news scan this QR code with your device.

Guarantee



The guarantee applies only to manufacturing or material defects conditional on the one-time correct installation of the product and does not apply to blockages, inappropriate use or accidental damage. This does not cover damage or defects that result from incorrect installation, improper use, or lack of maintenance including the build up of grime, dirt or lime-scale and water-borne debris. Damage resulting from inappropriate cleaning or water ingress. Damage or defects that result from repairs, modifications undertaken by unauthorised persons who are not maintenance engineers.

What to do if something goes wrong?

In the unlikely event that you should encounter a problem with this product, please contact your local installer and if this does not resolve the issue then contact AKW technical team who will provide further advice and if necessary arrange for a maintenance engineer to visit and report any issues. As part of our quality and training program calls may be monitored or recorded. None of the foregoing affects your statutory rights.

These instructions are provided to advise the minimum standards of installation and recommends what is the best practice for the installation. Due to the very wide variability of possible installation conditions AKW cannot provide all circumstances for the installation. AKW cannot accept any liability in connection with this information or its use. This information is provided on the condition that the person receiving it shall make their own tests to determine the suitability for their particular purpose. Failure to install this AKW product in accordance with supplied instructions or the making of unauthorised modifications will invalidate any warranty and may affect product safety. None of the foregoing affects your statutory rights.